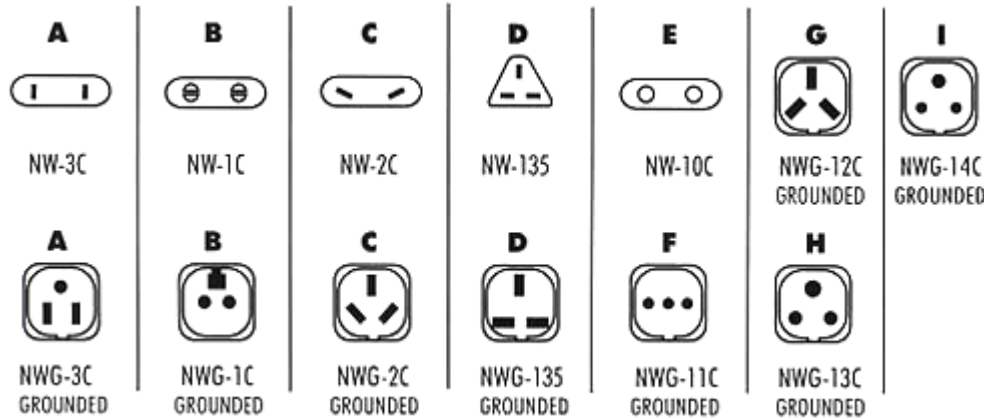


International Voltage Guide

By Travel Smart™

Following is a complete and up-to-date guide on voltages in foreign countries and the type of adapter plug needed by country. In general, all references to 110V apply to the range from 100V to 160V. References to 220V apply to the range from 200V to 260V. Where 110/220V is indicated, voltage varies within the country, depending on the location



Country	Voltage	Ungrounded/Grounded Plug
Afghanistan	220V	B, E
Algeria	110/220V	A, B, D, E
Angola	220V	B, E
Antigua	220V	A, D, E
*Argentina	220V	B, C, E
Aruba	110V	A, B, E
Australia	220V	C
Austria	220V	B, E
Azores	110/220V	A, B, E
Bahamas	110V	A
Bahrain	220V	D, E
Bangladesh	220V	B, E
Barbados	110V	A
Belgium	110V/220V	A, B, E
Belize	110/220V	A
Bermuda	110V	A
Bolivia	110/220V	A, B, E
Bosnia	220V	B, E
Botswana	220V	D, E
*Brazil	110/220V	A, B, D, E
Bulgaria	220V	B, E
Burma	220V	D, E
Burundi	220V	B, E
Cameroon	110/220V	A, B, E
Canada	110V	A

Cen. Africa Rep.	220V	B, E
Chad	220V	B, E
Chile	220V	B, E
China	220V	B, C, E
Columbia	110V	A, B, C
Costa Rica	1100V	A
Cuba	110V	A, B, E
Cyprus	220V	B, D, E
Czechoslovakia	220V	B, E
Denmark	220V	B, E
Dominican Rep.	110V	A
Ecuador	110V	A, B, E
Egypt	220V	B, E, G
El Salvador	110V	A
Ethiopia	220V	B, E
Fiji	220V	C
Finland	220V	B, E
France	220V	B, E
French Guiana	220V	B, E
Gambia	220V	D, E
Germany	220V	B, E
Ghana	220V	B, D, E
Gibraltar	220V	B, D, E
Great Britain	220V	B, D, E, I
Greece	220V	B, E
Greenland	220V	B, E
Granada	220V	B, D, E
Guatemala	110V	A
Guinea	220V	B, E
Guyana	110V	A, B, D, E
Haiti	110V	A
Honduras	110V	A
Hong Kong	220V	D, E, I
Hungary	220V	B, E
Iceland	220V	B, E
*India	220V	B, D, E, I
Indonesia	110/220V	A, B, E
Iran	220V	B, E
Iraq	220V	B, D, E
Ireland	220V	B, D, E
Israel	220V	B, G
Italy	110/220V	B, F
Ivory Coast	220V	B
Jamaica	110V	A
Japan	100V	A

Jordan	220V	B, D, E
Kenya	220V	B, D, E
Korea	110/220V	A, B
Kuwait	220V	B, D, E
Laos	220V	A, B, E
Lebanon	110/220V	B, E
Liberia	110V	A, D
Libya	110/220V	B, E
Luxembourg	110/220V	B, E
Macao	220V	B, E
*Madeira	220V	B, E
Majorca	110/220V	B, E
Malawi	220V	D
Malaysia	220V	D
Malta	220V	D, E
Martinique	220V	B, E
Mexico	110V	A
Nepal	220V	B, E
Netherlands	220V	B, E
Neth. Antilles	110/220V	A, B, D, E
New Caledonia	220V	B, E
New Zealand	220V	C
Nicaragua	110V	A
Niger	220V	B, E
Nigeria	220V	D, E
Norway	220V	B, E
Okinawa	110V	A
Oman	220V	D, E
Pakistan	220V	B, E
Panama	110V	A
Paraguay	220V	B, E
Peru	110/220V	A, B
Philippines	110/220V	A, B, E
Poland	220V	B, E
Portugal	110/220V	B, E
Puerto Rico	110V	A
Qatar	220V	D, E
Romania	220V	B, E
Russian Federation	220V	B, E
St. Lucia	220V	D, E
St. Marten	110/220V	A, B, D, E
St. Vincent	220V	D, E
Saudi Arabia	110/220V	A, B, C, D, E
Scotland	220V	D, E
Senegal	110V	B

Seychelles	220V	D, E
Singapore	220V	B, D, E, I
* South Africa	220V	H, I
Spain	110/220V	A, B, E
Sri Lanka (Ceylon)	220V	E
Sudan	220V	B, D, E
Surinam	110V	A, B, D, E
Swaziland	220V	B, E
Sweden	220V	B, E
Switzerland	220V	B, E
Syria	220V	B, E
Tahiti	110V	A, B, E
Taiwan	110V	A
Tanzania	220V	D, E
Thailand	220V	A, B, E
Trinidad	110/220V	A, B, D, E
Tunisia	110/220V	B, E
Turkey	110/220V	B, E
Turks & Caicos Island	110V	A
Uganda	220V	D, E
Upper Volta	220V	B, E
Uruguay	220V	B, C, D, E
USA	110V	A
U.S. Virgin Islands	110V	A
Venezuela	110V	A
Vietnam	110/220V	A, B, E
Wales	220V	D, E
Yemen (Arden)	220V	A, B, D, E
Yemen Arab. Rep	220V	A, B, D, E
Zaire	220V	B, E
Zambia	220V	B, D, E
Zimbabwe	220V	D, E

** Countries using Direct Current (DC) in certain areas. Do not use converters with DC.